

SECURITY DOOR RETROFIT



Secure Critical Information

TAB's Security Door Retrofit makes it possible to secure critical information without relocating existing records. Installation is quick and easy, so that down time for clients is minimal.

No drilling is required for installation, as TAB's Security Door Retrofit are simply clipped onto shelving and securely tightened with an allen wrench.

The manufacturing design of the box incorporates a counter-balance spring to facilitate easy lifting, and provides a check against rapid closing speeds. For lightweight strength in each Rollok door, this counter balance design incorporates metal slats which consist of a core of polyurethane foam sandwiched within two aluminum skins.

The physical components of each TAB security door retrofit assembly consist of the side guide rails and a pre-assembled box which houses the roll of slats. Side guide rails measure 2 $\frac{1}{8}$ " X $\frac{7}{8}$ " , and the box size is generally 6 $\frac{1}{2}$ x 6 $\frac{1}{2}$ " square, or 7 x 7" square.

Locking is provided by a single push button lock system that is located in the side guide rail. To lock the closed door in place, simply push in the button. After a key is used for unlocking the system, the door will spring upwards to aid in lifting.

TAB's security door retrofit are ideal in meeting the HIPAA privacy requirements for medical record security.

Features

Easy to install, affixing to existing cabinetry or shelving

Installation involves minimal down time

Existing charts do not need to be relocated

Loss of filing space - minimal to none

Spring-Assisted for effortless operation

Counter-balance controls movement

Entire panel locks with a single key

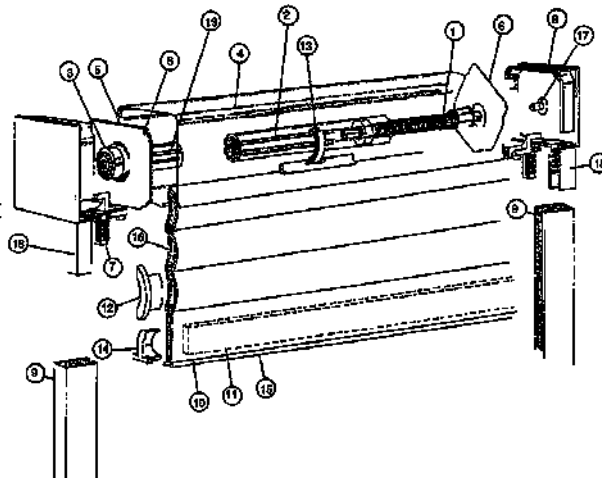
Widths up to 12 feet in a single panel

Multi-panel designs are possible for applications wider than 12 feet

TAB STORAGE SYSTEMS

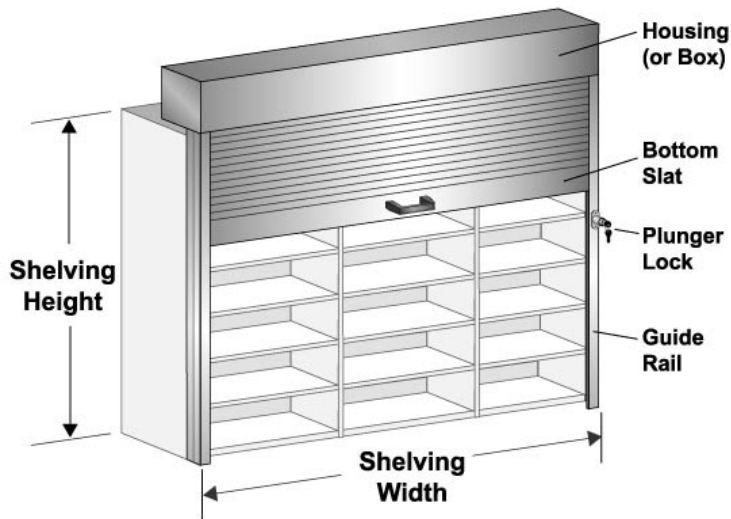
Mechanical Parts

- 1 Assist Spring
- 2 Center Axle
- 3 Insert Bearing
- 4 Housing Box – Back
- 5 Housing Box – Front
- 6 Retainer Plates
- 7 Entry Guide
- 8 End Cap
- 9 Guide Rails
- 10 Bottom Slat



- 11 Steel Weight
- 12 Side Lock
- 13 Hanging Straps
- 14 Impact Stop
- 15 Cushioned Insert
- 16 Slat
- 17 End Cap Pivot Post
- 18 End Cap Ear
- 19 Axle Insert

Measuring Guide



Security Door Featured on a TAB Mobile System



CONTACT ONE OF OUR
REPRESENTATIVES TODAY.

UNITED STATES • 888.822.9777 www.tab.com
 CANADA • 800.387.6212 www.tab.ca
 AUSTRALIA • 800.50.3453 www.datafile.com.au
 EUROPE • +31 20 6975333 www.tab.nl